



Killeshal Precast Concrete Ltd
 Dasingain, Co. Offaly, Ireland

Tel: +353 57 9353018

Fax: +353 57 9353272

E-Mail: sales@killeshal.com

Web: www.killeshal.com

S/255

Type H Sill

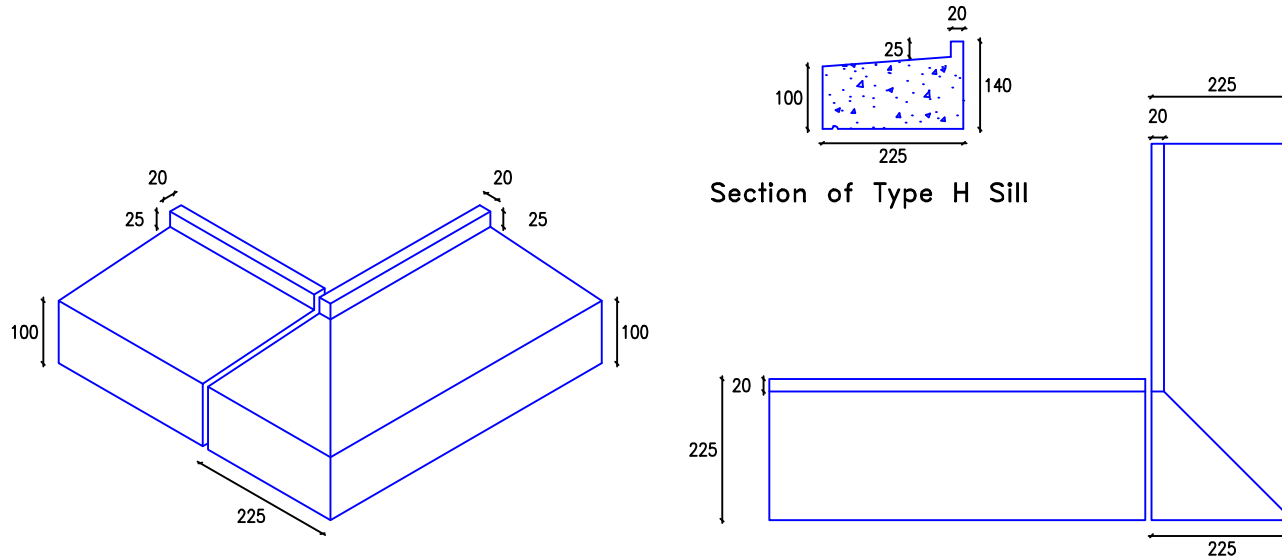
Doc Ref:-Kilform 286/04/08 Rev Lvl 7

Drawn By DON 07/07/2014 Approved By

Approx Weight 60 Kgs/M P.N. 07/07/14

Note: All Vertical
 Faces Would Typically
 have a Taper of 4
 mm in 100 mm.

All dimensions as per drawing and allowable tolerances		Bolts as per specification and drawing		Quantity as per order		Welding visually correct	
Number of moulds accepted	Number of moulds Rejected	Reason for rejection		Date		Checkers initials	



Section of Type H Sill

Details of L.H. (90 Deg Ext Return End.)

Scale (N.T.S)

The information contained in this drawing was up to date at time of going to print. Profiles, sizes, weights and mould numbers are given as an indication only. Killeshal Precast Concrete Ltd reserves the right to modify these at any time without notice.