



Killeshal Precast Concrete Ltd
 Daingean, Co. Offaly, Ireland
 Tel: +353 57 953018
 Fax: +353 57 9353272
 Email: sales@killeshal.com
 Web: www.killeshal.com

77.131

Moorhouse Litter Bin

Doc Ref: Kilform 286/04/08

Rev Lvl 7

Drawn By NM 27/10/2015

Approved By

Approx Weight 36 Kgs

PN 19/06/14

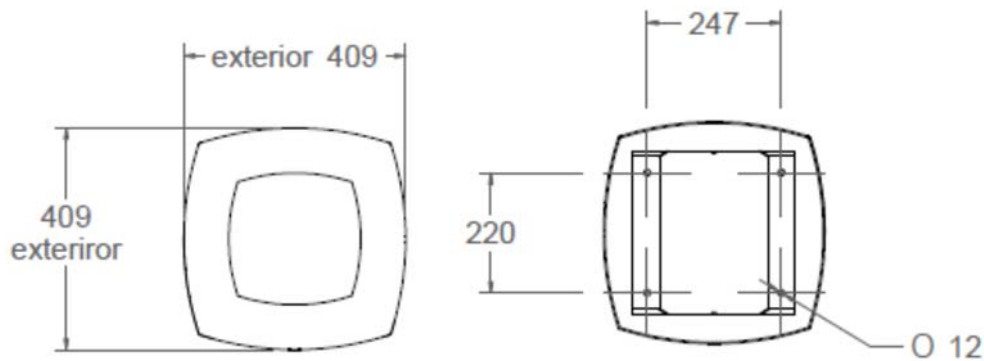
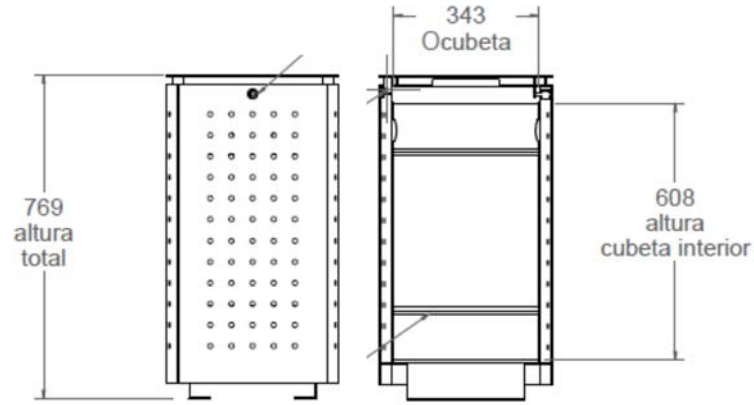
Note: In Concrete Products, all Vertical Faces would typically have a taper of 4mm in every 100mm.

All dimensions as per drawing and allowable tolerances

Bolts as per specification and drawing

Quantity as per order

Welding Visually Correct



Capacity 58 Litres



Manufacturer's Reference

C-2004

Max Units per Pallet

4 no.

Scale

N.T.S.

