



**Killeshal Precast Concrete Ltd**  
 Daingean, Co. Offaly, Ireland  
 Tel: +353 57 953018  
 Fax: +353 57 9353272  
 Email: sales@killeshal.com  
 Web: www.killeshal.com

**77.130**

**Malthouse Litter Bin Galv.**

Doc Ref: Kilform 286/04/08

Rev Lvl 7

Drawn By NM 27/10/2015

Approved By

Note: In Concrete Products, all Vertical Faces would typically have a taper of 4mm in every 100mm.

Approx Weight 25 Kgs

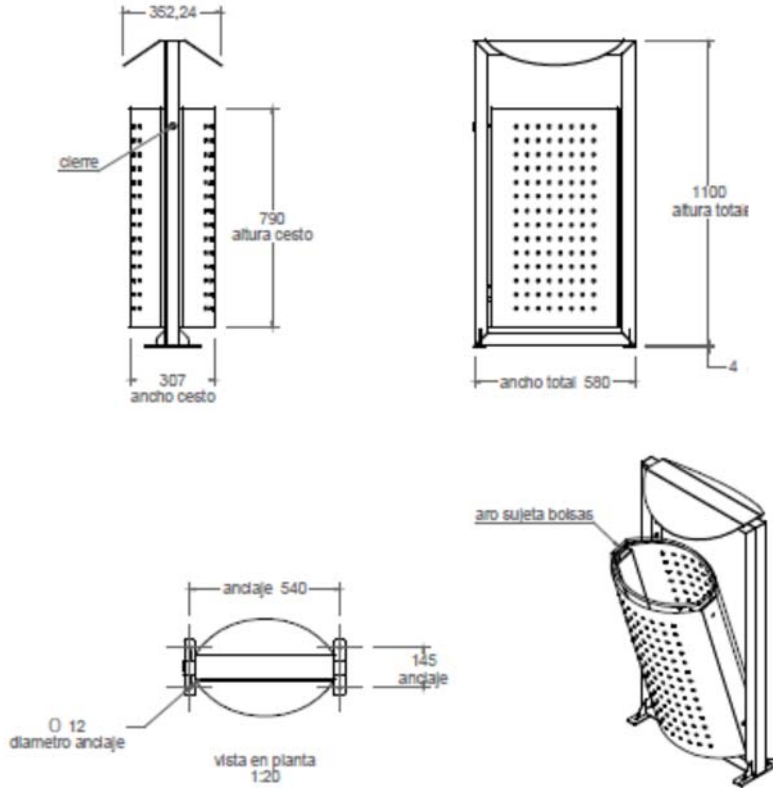
PN 19/06/14

All dimensions as per drawing and allowable tolerances

Bolts as per specification and drawing

Quantity as per order

Welding Visually Correct



Manufacturer's Reference C-2012

Max Units per Pallet 4 no.

Scale N.T.S.

