



Killeshal Precast Concrete Ltd
 Daingean, Co. Offaly, Ireland
 Tel: +353 57 953018
 Fax: +353 57 9353272
 Email: sales@killeshal.com
 Web: www.killeshal.com

74.128

City Flower 4 x Litter Bin

Doc Ref: Kilform 286/04/08

Rev Lvl 7

Drawn By NM 27/10/2015

Approved By

Note: In Concrete Products, all Vertical Faces would typically have a taper of 4mm in every 100mm.

Approx Weight ?? Kgs

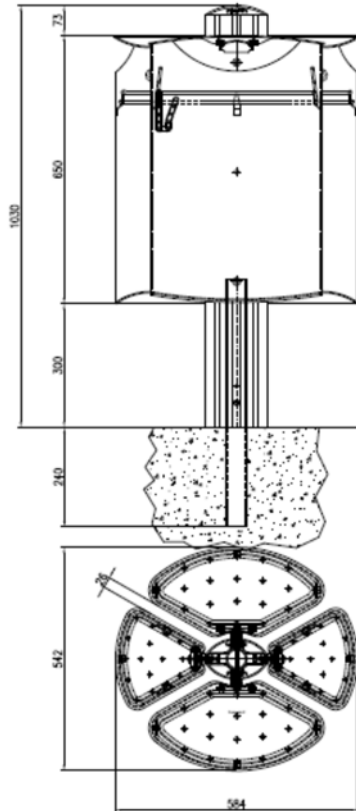
PN 19/06/14

All dimensions as per drawing and allowable tolerances

Bolts as per specification and drawing

Quantity as per order

Welding Visually Correct



Capacity 2 x 40 litres and 2 x 25 litres



© All Rights Reserved I E T V



© All Rights Reserved I E T V

Manufacturer's Reference

11 0035

Max Units per Pallet

4 no.

Scale

N.T.S.

city
DESIGN