



Killeshal Precast Concrete Ltd
Daingain, Co. Offaly, Ireland

Tel: +353 57 9353018

Fax: +353 57 9353272

E-Mail: sales@killeshal.com

Web: www.killeshal.com

Seat/222

London Seat.

Doc Ref:-Kilform 286/04/08 Rev Lvl 7

Drawn By DON 06/03/2014 Approved By

Approx Weight 1477Kgs/M P.N. 06/03/14

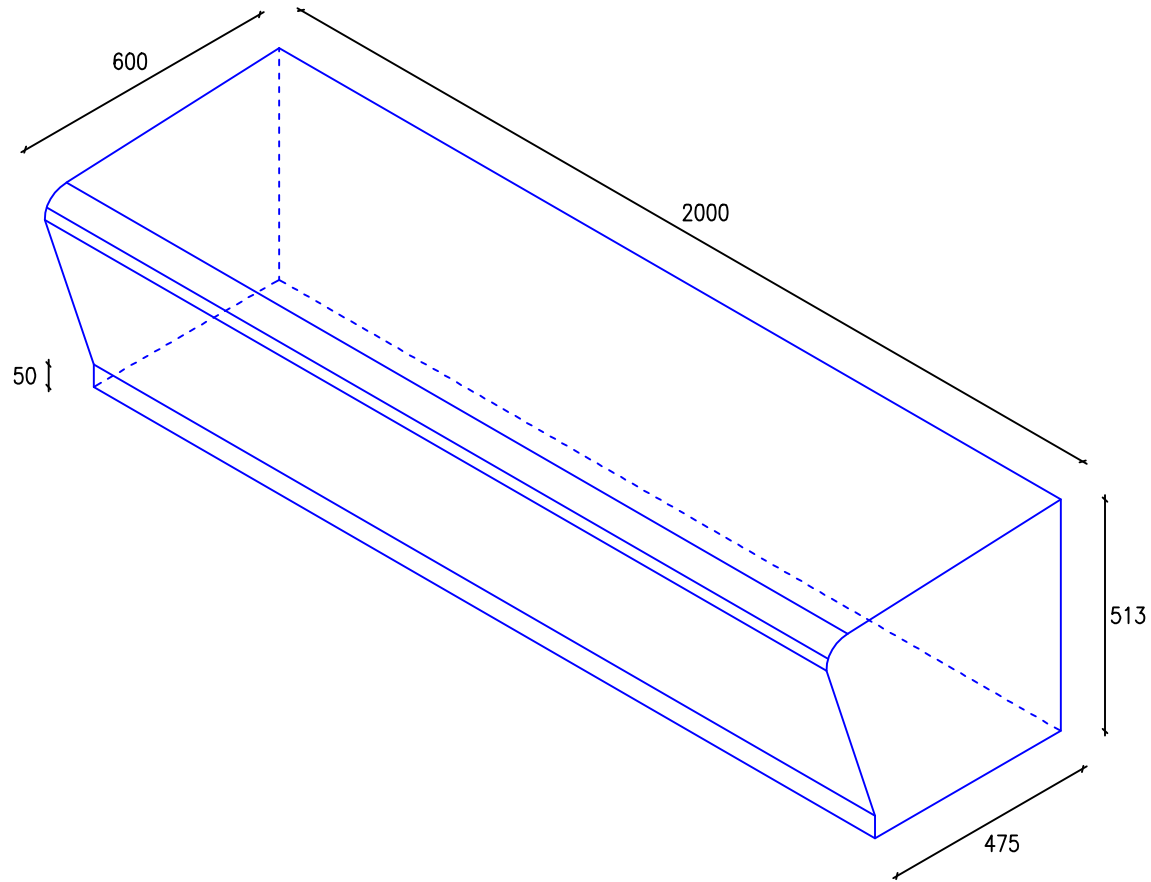


Note: All Vertical Faces Would Typically have a Taper of 4 mm in 100 mm.

All dimensions as per drawing and allowable tolerances Bolts as per specification and drawing Quantity as per order Welding visually correct

Number of moulds accepted Number of moulds Rejected Reason for rejection Date Checkers initials

Moulds:-
3 No. Moulds @ 2000mm.



Scale (1:16)

The information contained in this drawing was up to date at time of going to print. Profiles, sizes, weights and mould numbers are given as an indication only. Killeshal Precast Concrete Ltd reserves the right to modify these at any time without notice.